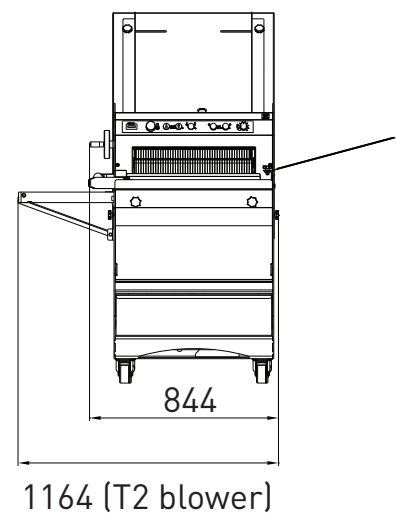
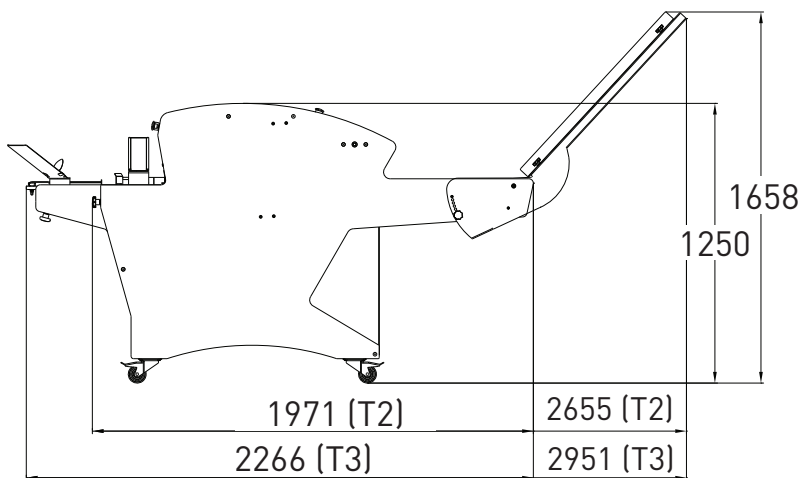


Continuous cut slicers

FULL

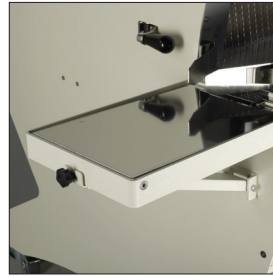
- ✓ Continuous slicing of all types of bread
- ✓ High speed, thanks to motorised drive belts
- ✓ Uncompromising robustness
- ✓ Adjustable speed

Up to 1000 loaves an hour





Front control panel
 Motorised adjustment of the upper belt height (height of loaves). Next to the front panel controls, a timer accurately records your working time.



Full 520 T2
Foldable bag blower
 Saves packaging time.



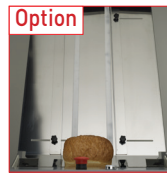
Rear loading belt
 Provides uniform continuous cutting, thanks to adjustable side guides.



Full 520 T3
Motorised outfeed belt
 Fitted with adjustable guides to ensure that the bread is held together after cutting.



Variable speed drive
 Allows the cutting speed to be adjusted to suit the type of bread.



Option
Loading ramp
 Fitted with side guides, increases loading capacity.

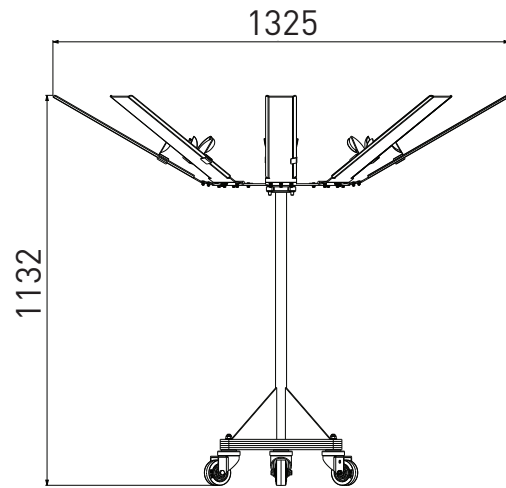


Two crumb collectors
 33 litre capacity each.

FEATURES	FULL 520 T2	FULL 520 T3
Max. loaf dimensions in cm (W x H)	52 x 16	52 x 16
Foldable bag blower	•	
Motorised outfeed belt		•
Motor power in kW	1.1	1.1
Net weight (in kg)	365	385
Blade type and dimensions in mm	13 x 0.7 steel	13 x 0.7 steel
CHOICES		
Slice thickness in mm	11 - 18	11 - 18
Type of motor	230V three-phase 400V three-phase	230V three-phase 400V three-phase
OPTIONS		
Loading ramp	•	•
Special blades	•	•

Bagging turnstile

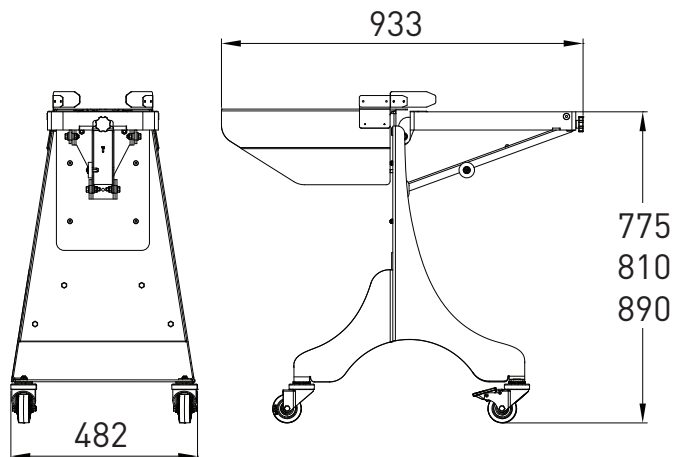
Allows several loaves to be packaged very quickly one after the other.



Dimensions (in mm)

Bag blower

Additional mobile blower



Dimensions (in mm)

FEATURES

Type of motor

| 230V single phase |